

# ISEDIO EXPAJOINT

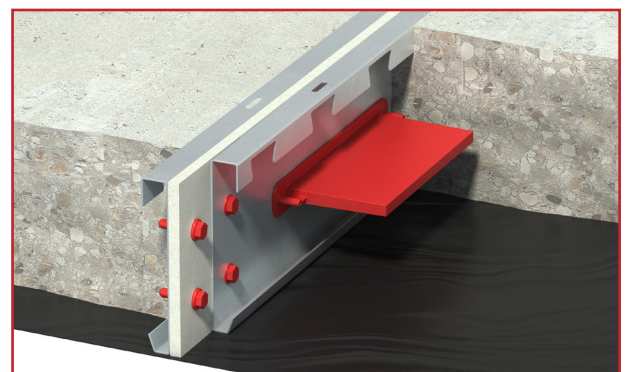
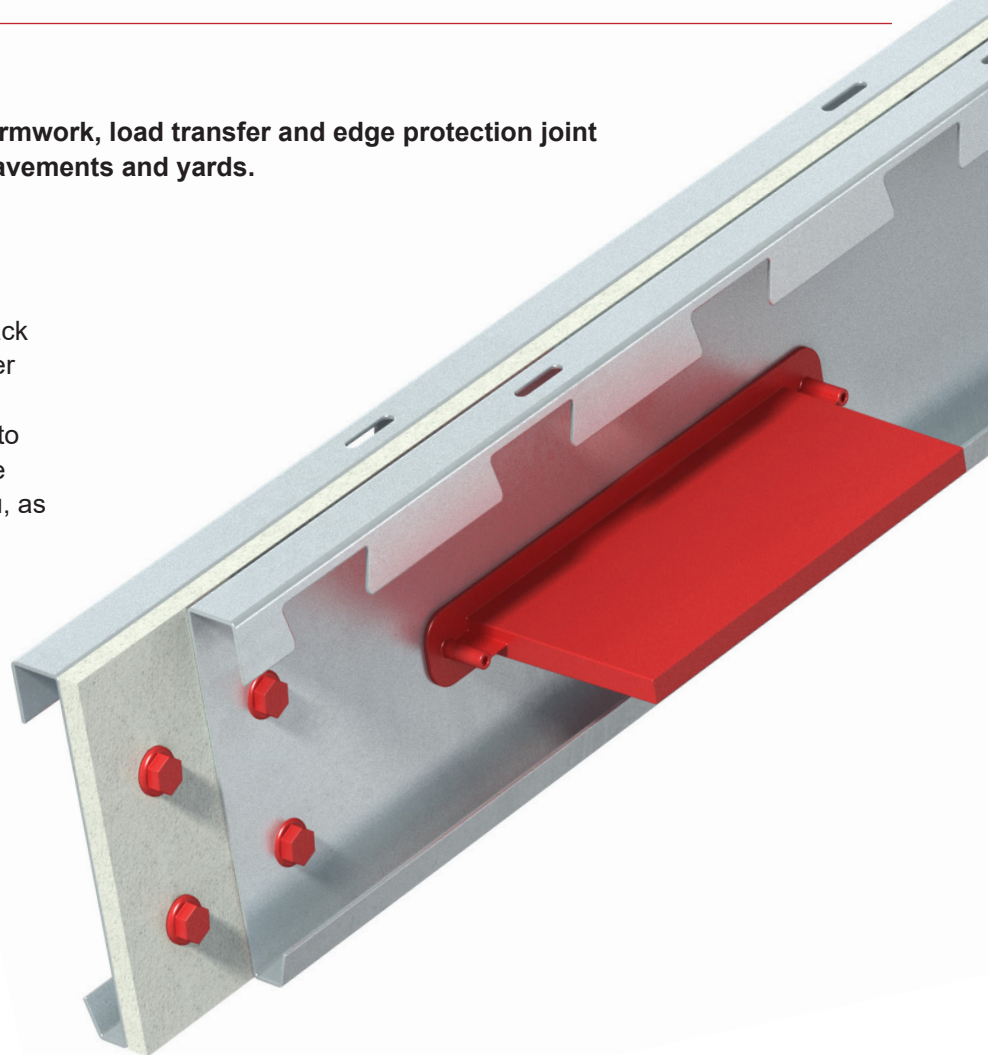
## Technical Datasheet

**Isedio EXPAJOINT is a leave-in-place formwork, load transfer and edge protection joint system suitable for external concrete pavements and yards.**

The joint system comprises two back-to-back galvanised steel divider plates, load transfer plate dowels and sleeves and an optional miothene foam between the divider plates to accommodate slab thermal expansion. The joint is designed such that once cast in-situ, as the two slab panels either side of the joint begin to cure and shrink, the joint separates such that one slab panel has the sleeve and divider plate and the other has the divider plate and dowel. The dowel bridges across the joint and is embedded in both slab panels.

Slab arris protection is provided by way of a folded top edge that has air release holes at set intervals. The folded top edge has a castellated edge with inverted forms to engage and anchor in to the concrete.

Load transfer across the joint is achieved by asymmetric plate dowels and sleeves. The plate dowels are attached to the vertical divider plate and the sleeves are held in place under friction and are detachable as the joint opens up.



**MATERIAL SPECIFICATION**

Component	Material
Divider Plate	BS EN 10346:2015 DX51D
Frangible Fastener	Nylon
Expansion Foam	Miothane
Load Transfer Dowel Plate	8mm or 12mm - S355 Steel
Sleeve	8mm & 12mm - PP

**TECHNICAL INFORMATION**

Description	Dimension & Tolerance
Joint Length	3000mm +/- 2.0mm
Straightness	+/-1.0mm in 600mm
General Dimensional Tolerance	Dimensions < 12mm +/- 0.5mm Dimensions > 12mm +/- 2.0mm

Information on load transfer capacities can be found on the Load Transfer Capacity Datasheet.

**PACKAGING INFORMATION**

**5 x 8mm Dowels (600mm Centres)**

Joint (mm)	Quantity and metres of joint per bundle	Approx. bundle weight inc. packaging (kg)	Max. no. of bundles and metres per truck
135mm	63 off - 189m	1,251 kg	16 Bundles – 3,024m
150mm	63 off - 189m	1,318 kg	16 Bundles – 3,024m
160mm	54 off - 162m	1,188 kg	16 Bundles – 2,592m
170mm	45 off - 135m	1,045 kg	16 Bundles – 2,160m
180mm	45 off - 135m	1,076 kg	16 Bundles – 2,160m
190mm	45 off - 135m	1,108 kg	16 Bundles – 2,160m
200mm	45 off - 135m	1,140 kg	16 Bundles – 2,160m
225mm	36 off - 108m	1,204 kg	16 Bundles – 1,728m
250mm	36 off - 108m	1,289 kg	16 Bundles – 1,728m

**5 x 12mm Dowels (600mm Centres)**

Joint (mm)	Quantity and metres of joint per bundle	Approx. bundle weight inc. packaging (kg)	Max. no. of bundles and metres per truck
135mm	63 off - 189m	1,448 kg	16 Bundles – 3,024m
150mm	63 off - 189m	1,471 kg	15 Bundles – 2,835m
160mm	54 off - 162m	1,376 kg	16 Bundles – 2,592m
170mm	45 off - 135m	1,202 kg	16 Bundles – 2,160m
180mm	45 off - 135m	1,233 kg	16 Bundles – 2,160m
190mm	45 off - 135m	1,265 kg	16 Bundles – 2,160m
200mm	45 off - 135m	1,297 kg	15 Bundles – 2,025m
225mm	36 off - 108m	1,329 kg	14 Bundles – 1,512m
250mm	36 off - 108m	1,414 kg	13 Bundles – 1,404m

Isedio EXPAJOINT is available from 90mm upwards in 5mm increments, details available on request.

Copyright © 2020 Ancon Ltd trading as Leviat. Errors and omissions excepted. We reserve the right to revise this documentation and to make changes in content from time to time without obligation on the part of Ancon Ltd trading as Leviat to provide notification of such revision or change. Information contained within this document is approximate.